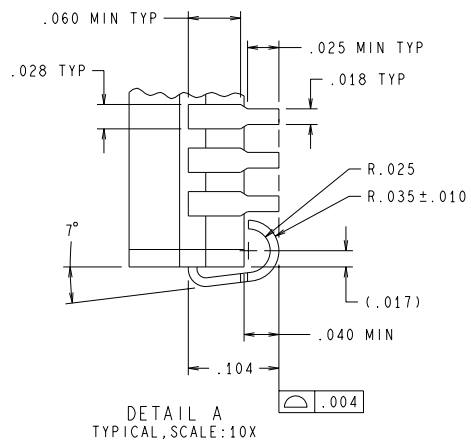
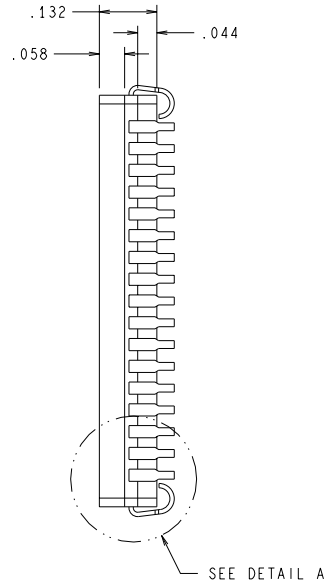
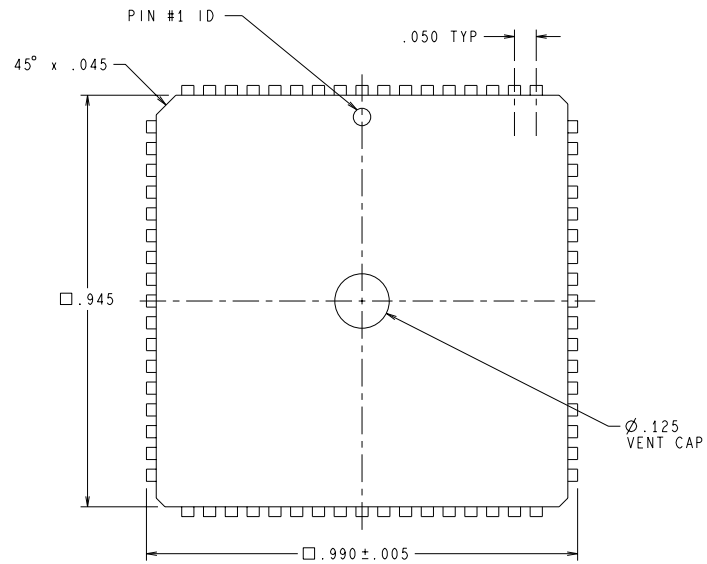



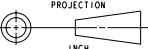
| REVISIONS | | | | |
|-----------|-----------------------------|--------|----------|----------|
| LTR | DESCRIPTION | E.C.N. | DATE | BY/APP'D |
| A | RELEASE TO DOCUMENT CONTROL | 10668 | 11/11/94 | KES/ |



DIMENSIONS ARE IN INCHES

NOTES: UNLESS OTHERWISE SPECIFIED

- STANDARD LEAD FINISH:
200 MICROINCHES MINIMUM SOLDER PLATING (85/15)
THICKNESS ON ALLOY 42/COPPER.
- TOLERANCE OF LEAD FRAME TO PACKAGE BODY IS
±.020 MAXIMUM.
- REFERENCE INDY DRAWING 04-068-YQ-001 REV B,
DATED 09/09/92.

| | | | | | | | |
|---|--|----------|--|---|------|----------------|-----|
| APPROVALS | | DATE | |  National Semiconductor 2900 Semiconductor dr., Santa Clara, CA 95052-8090 | | | |
| DRAWN KURT SINCERBOX | | 11/11/94 | | | | | |
| DFTG. CHK. | | | | | | | |
| ENGR. CHK. | | | | | | | |
|  | | | | SCALE | SIZE | DRAWING NUMBER | REV |
| | | | | N/A | C | MKT-AA68A | A |
| DO NOT SCALE DRAWING | | | | SHEET 1 of 1 | | | |